

1

2

3

4

IMO Precision Controls Ltd - Frobisher Way, Hatfield, Herts. UK AL10 9TG

DESIGN SUBJECT TO CONTINUOUS IMPROVEMENT - COPYRIGHT IMO 2022

www.imopc.com

Tel: +44 (0) 1707 414 444

REVISION RECORD

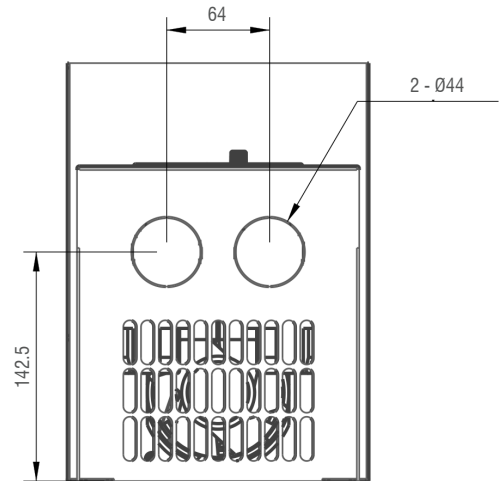
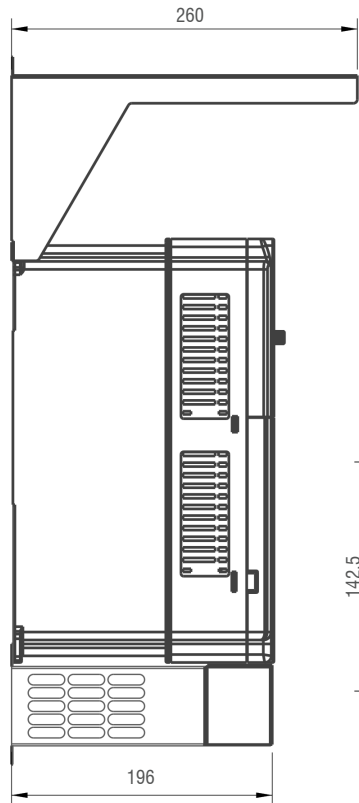
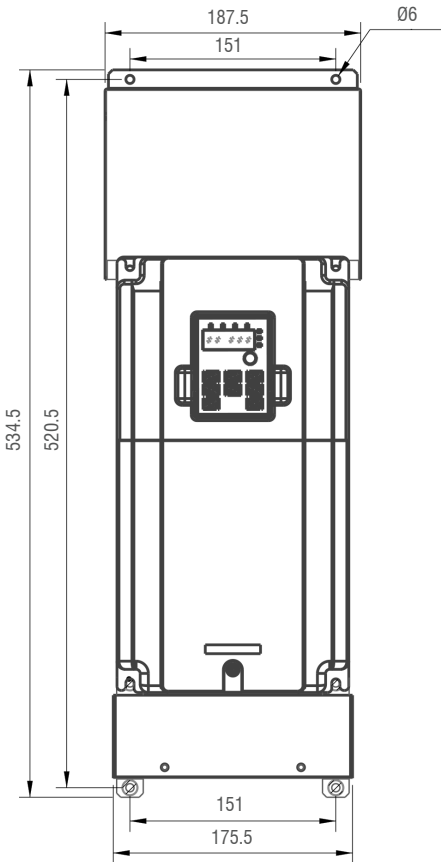
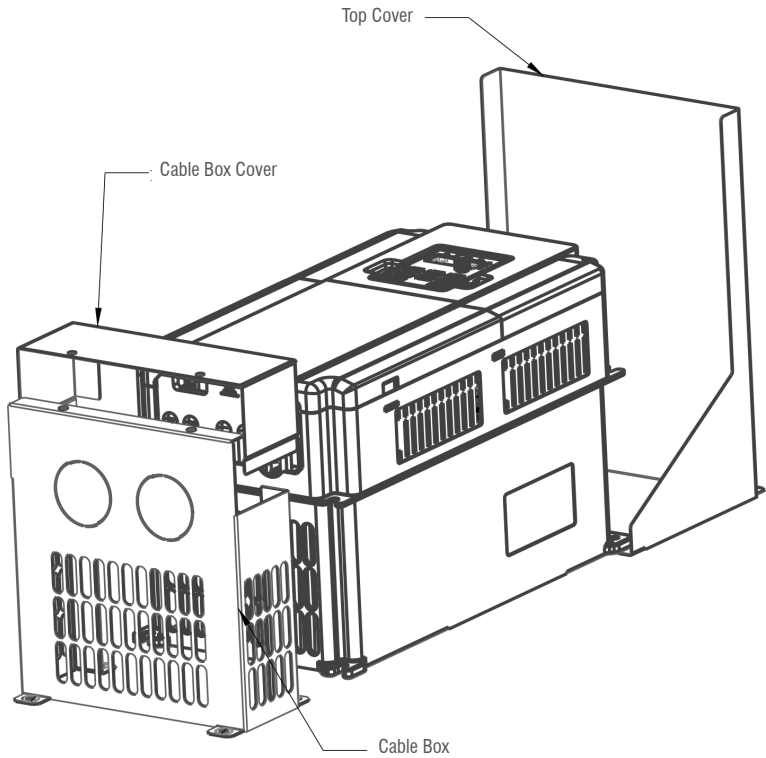
REV	DESCRIPTION	DRFT	DATE
IM 1	SD1-NK1-4	RL	28.10.22

Applicable Part No's.

SD1-18.5A-43

SD1-25A-43

SD1-32A-43



MM (INCH)	ANGLES ± 1°	MATERIAL:	FINISH:	DO NOT SCALE DRAWING	
TOLERANCES EXCEPT AS NOTED		APPROVED: JJ 28.10.22	DRFT: RL 28.10.22	SCALE 1:1	SHEET 1/1

	<b>IMO Precision Controls Ltd</b>	NAME: <b>SD1-NK1-4</b>	 THIRD ANGLE PROJECTION
		DRAWING #: IM 4 SD1-NK1-4	

1

4